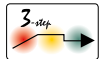


- 3-step charge control with current detection
- Charging 8-9 LiFePO<sub>4</sub> battery cells
- Input voltage 198-264 VAC
- Wake up and low current start-up of deeply discharged batteries
- Error indication for reverse polarity, charging of wrong lower voltage battery pack, defect battery and safety timer run-out
- Mounting bracket available

For updates: see [www.mascot.no](http://www.mascot.no)



## TECHNICAL SPECIFICATIONS 8 CELL



### GENERAL INPUT/OUTPUT

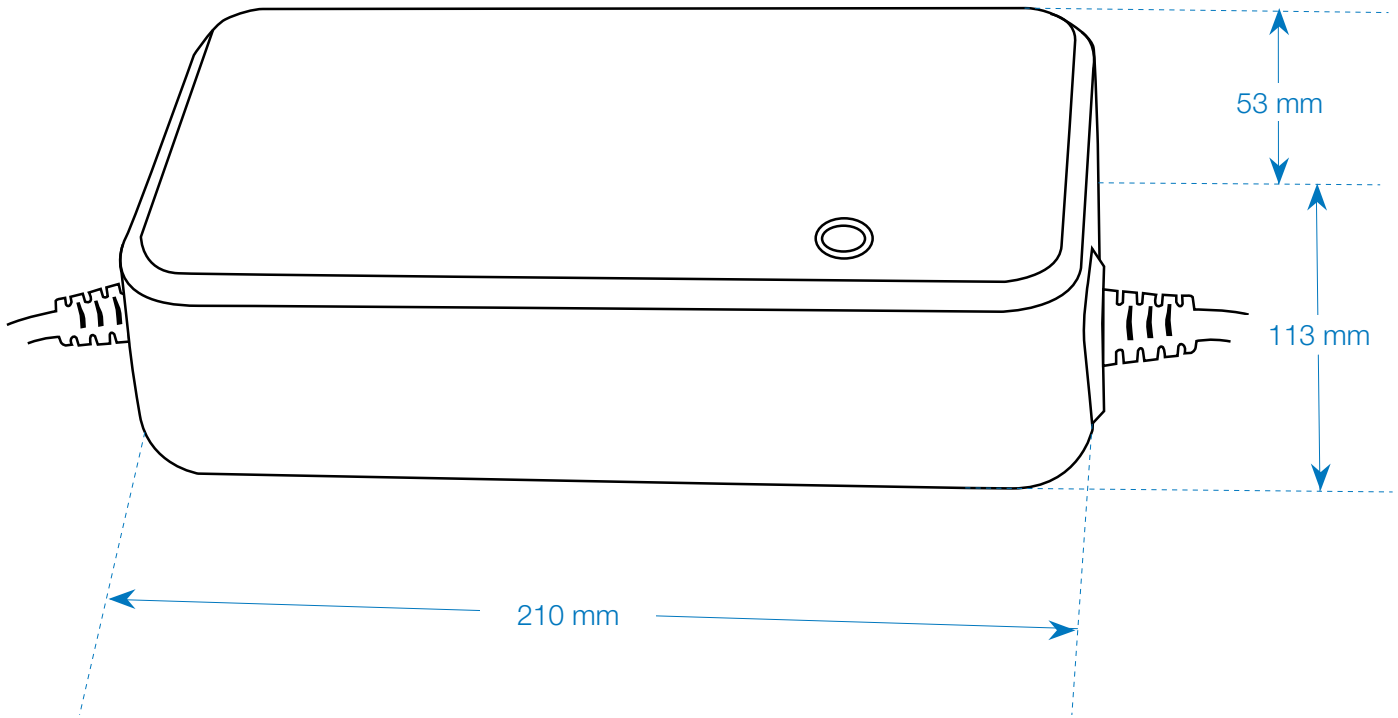
<b>Input voltage:</b>	198-264 VAC
<b>Line Frequency:</b>	47 – 50Hz
<b>Switch frequency, approx.:</b>	65 kHz
<b>Leakage current from batt. with mains switched off:</b>	<160µA@29.2V
<b>Temperature range</b>	
• <b>Operating:</b>	-25 °C - +40 °C
• <b>Storage:</b>	-25 °C - +65 °C
<b>Derating:</b>	7A @ 40°C
<b>Input terminal:</b>	2-pin IEC 60320 or fixed mains cable
<b>Output terminals:</b>	Cord with open ends or XLR Plug
<b>IP-code:</b>	IP44
<b>Dimensions (LxWxH):</b>	210 × 113 × 53 mm
<b>Weight:</b>	With mains cable 1400g With IEC60320 1150g

### SAFETY PROTECTION EMC

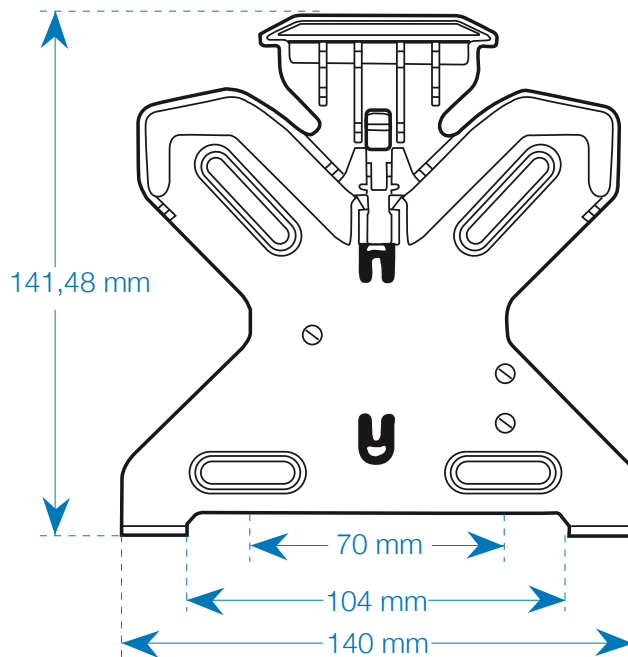
<b>Protection:</b>	Protected against reversed polarity, short circuit proof and thermal run-off. Prevents sparking. Charge timer: 4h Safety timer: 72h Class II (Double insulated)
<b>Insulation class:</b>	Class II (Double insulated)
<b>Insulation voltage</b>	
• <b>Primary – secondary:</b>	4000VAC / 5700VDC
<b>Electrical safety standard:</b>	EN 60601 (Edition 3.1)
<b>EMC standards</b>	EN 60601-1-2:2015 (Edition 4)

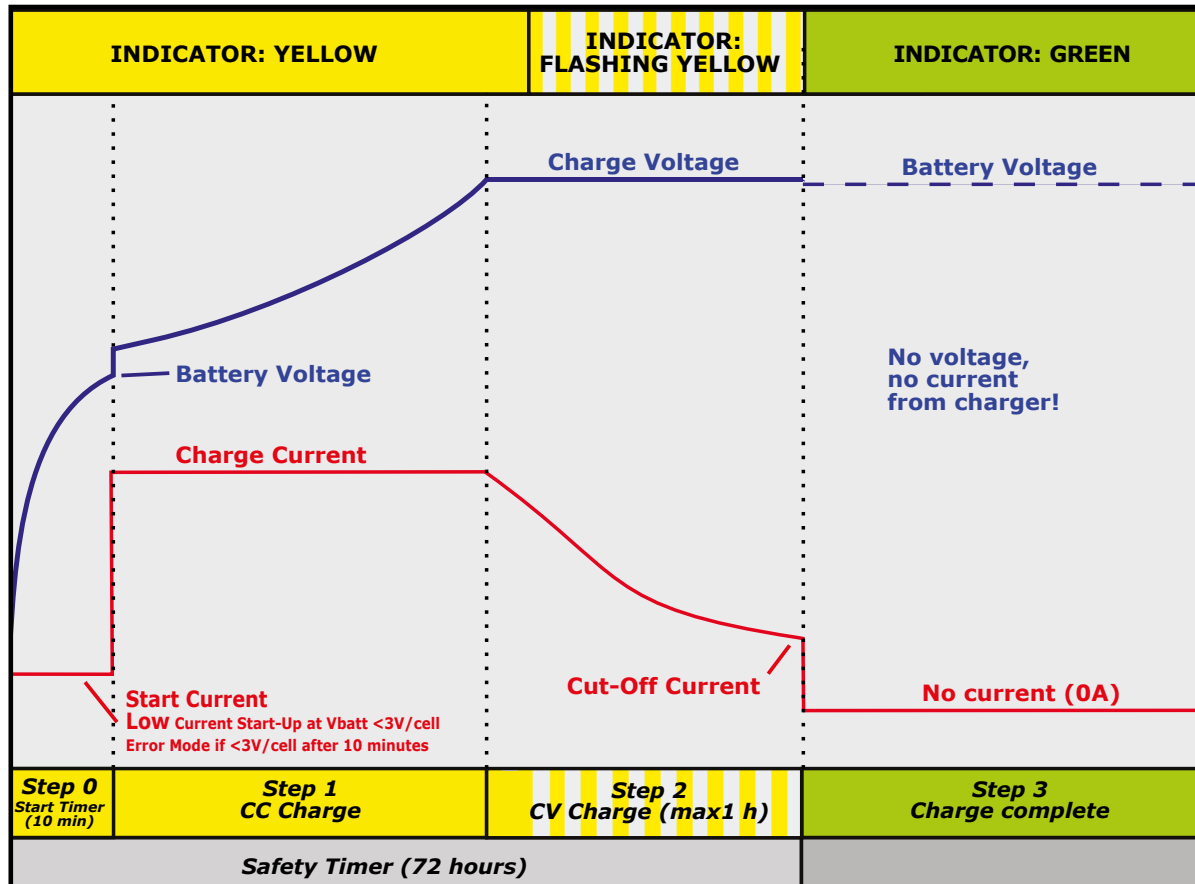
## VERSIONS

		CHARGE CONTROL					
		Step 0 < 10min (yellow)	Step 0 > 10min (Red: 4 blinks)	Step 1 (yellow)	Step 2 (Flash yellow)	Step 3 (green)	
Cells	Max output power (W)	Low Current start-up for deeply discharged batt.	Battery voltage too low	Charge Current	Charge Voltage	Charge term when current is:	Restart
8	292W	CC 0.8A±0.4A when batt volt < 21V	0A / 10V	10A ±0.3A	29.2V ±0.2V	< 0.8A or max. 1 hr.	26.4V ±0.1V
9	295W	CC 0.8A±0.5A when batt volt < 23.4V		9A ±0.3A	32.83V	< 0.8A or max. 1 hr.	29.7V ±0.1V



**Mounting bracket, part no. 205800**



**Charging characteristics and LED indication**

**BATTERY NOT CONNECTED INDICATIONS**

Battery not connected is indicated by FLASHING GREEN. In this mode charger will apply short pulses attempting to wake up deeply discharged batteries.

**ERROR INDICATIONS**

2 red blinks: Battery is connected to charger with wrong polarity!  
 4 red blinks: Battery voltage is low. Check battery status or voltage.  
 5 red blinks: Safety timer has run out. Check battery status or capacity.  
 LED off: Battery voltage is too high. Check battery voltage.

**WAIT MODE INDICATIONS**

Yellow with 1 red blink: Battery temperature is too low ( $< 0^{\circ}C$ )  
 Yellow with 2 red blink: Battery temperature is too high ( $> 45^{\circ}C$ )