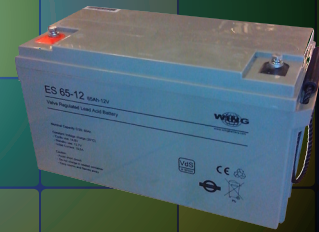




ES 65-12

12V - 65 Ah



Electrical specifications

| | | |
|-------------------------|--------------------|--------------------|
| Nominal Voltage | 12 V | |
| Capacity 25°C to 1,8V/c | 20 hour rate | 68,2 Ah |
| | 10 hour rate | 65,0 Ah |
| | 8 hour rate | 60,5 Ah |
| | 3 hour rate | 48,0 Ah |
| | 1 hour rate | 36,7 Ah |
| Self discharge @ 25°C | per month | 2,5 - 3 % |
| Internal Resistance | fully charged | approx 6 mΩ |
| Maximum current @ 25°C | charging | 19,5 A |
| | discharging (5sec) | 650 A |
| Charge Voltage @25°C | Float (-18mV/°C) | 2,27 - 2,29 V/Cell |
| Charge Voltage @25°C | Cyclic (-30mV/°C) | 2,41 - 2,48 V/Cell |

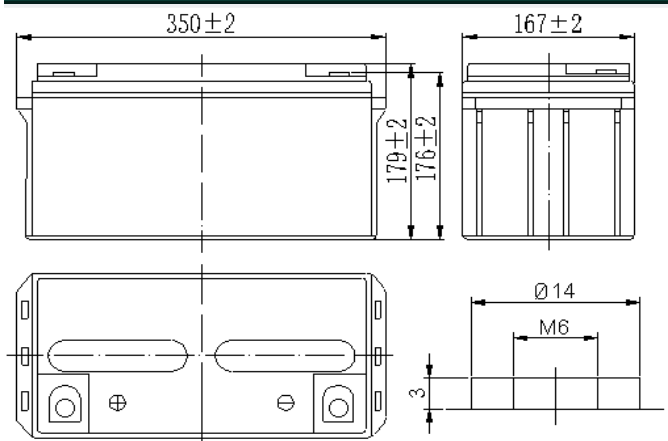
Other specifications

| | | |
|---------------------------------|--------------------------|--|
| Design Floating Life @ 20°C | 3-5 Years | |
| Dimensions LxWxH (± 1mm) | 350x167x176 mm | |
| Total height | 179 mm | |
| Operating Temperature (storage) | -20 to +50 °C | |
| Separator | Absorbent Glass Mat | |
| Grid alloy | Calcium / Tin lead alloy | |
| Case and cover | ABS / VDS | |
| Electrolyte | Sulphuric Acid | |
| Terminal / Length | M6 / 14mm insert | |
| Optional terminal types | none | |
| Torque setting | 5-6 Nm | |
| Weight | 20,8 (±5%) kg | |

Innovative Features

- Completely maintenance free, sealed construction eliminates the need for adding water
- Fully tank formed plates
- Analytical grade electrolyte
- Spill proof / leak proof
- Valve regulated Max internal pressure 2,5 psi
- Multi-position usage
- ABS Case and cover (V0 optional)
- Low self discharge
- FAA and IATA approved as non-hazardous
- Built to comply with IEC 8962, DIN 43534, BS 6290 Pt4, Eurobat

Dimensions



Constant Amps Discharge - Amps at 25°C

| V/Cell | 5m | 10m | 15m | 20m | 25m | 30m | 35m | 40m | 45m | 50m | 55m | 60m | 90m | 2h | 3h | 4h | 5h | 6h | 7h | 8h | 9h | 10h | 12h | 20h |
|--------|-----|-----|------|------|------|------|------|------|------|------|------|------|------|------|------|------|------|------|------|------|------|------|------|------|
| 1,80 | 184 | 115 | 92,3 | 73,7 | 65,7 | 58,0 | 52,4 | 47,9 | 44,2 | 41,2 | 38,6 | 36,7 | 27,3 | 22,4 | 16,0 | 12,9 | 11,0 | 9,43 | 8,38 | 7,57 | 7,13 | 6,50 | 5,53 | 3,41 |
| 1,75 | 194 | 122 | 97,3 | 77,7 | 68,3 | 60,3 | 54,4 | 49,7 | 45,9 | 42,8 | 40,1 | 37,9 | 27,7 | 22,8 | 16,3 | 13,3 | 11,4 | 9,72 | 8,64 | 7,80 | 7,18 | 6,55 | 5,57 | 3,45 |
| 1,70 | 203 | 127 | 101 | 80,5 | 70,0 | 61,8 | 55,7 | 50,9 | 47,0 | 43,8 | 41,1 | 38,7 | 28,2 | 23,1 | 16,5 | 13,4 | 11,5 | 9,79 | 8,70 | 7,85 | 7,22 | 6,58 | 5,62 | 3,46 |
| 1,65 | 212 | 132 | 105 | 83,6 | 72,2 | 63,7 | 57,5 | 52,5 | 48,5 | 45,2 | 42,4 | 39,7 | 28,6 | 23,4 | 16,7 | 13,5 | 11,5 | 9,86 | 8,76 | 7,92 | 7,24 | 6,60 | 5,66 | 3,47 |
| 1,60 | 218 | 137 | 107 | 85,6 | 73,7 | 65,0 | 58,7 | 53,6 | 49,5 | 46,1 | 43,2 | 40,3 | 29,0 | 23,7 | 17,1 | 13,6 | 11,6 | 9,92 | 8,81 | 7,96 | 7,25 | 6,61 | 5,72 | 3,48 |

Constant Power Discharge - Watts per Block at 25°C

| V/Cell | 5m | 10m | 15m | 20m | 25m | 30m | 35m | 40m | 45m | 50m | 55m | 60m | 90m | 2h | 3h | 4h | 5h | 6h | 7h | 8h | 9h | 10h | 12h | 20h |
|--------|------|------|------|-----|-----|-----|-----|-----|-----|-----|-----|-----|-----|-----|-----|-----|-----|-----|------|------|------|------|------|------|
| 1,80 | 1974 | 1236 | 998 | 800 | 716 | 635 | 581 | 534 | 495 | 461 | 434 | 417 | 313 | 257 | 185 | 151 | 129 | 111 | 98,8 | 89,1 | 84,5 | 78,0 | 66,3 | 41,0 |
| 1,75 | 2081 | 1307 | 1050 | 842 | 742 | 659 | 603 | 554 | 514 | 478 | 450 | 429 | 317 | 261 | 187 | 155 | 133 | 114 | 101 | 91,7 | 85,2 | 78,0 | 67,0 | 41,3 |
| 1,70 | 2175 | 1362 | 1085 | 870 | 759 | 673 | 617 | 566 | 525 | 489 | 460 | 437 | 321 | 264 | 190 | 156 | 134 | 114 | 102 | 92,3 | 85,2 | 78,7 | 67,0 | 41,3 |
| 1,65 | 2261 | 1418 | 1125 | 902 | 782 | 694 | 635 | 582 | 541 | 503 | 474 | 448 | 326 | 267 | 192 | 157 | 135 | 115 | 103 | 93,0 | 85,2 | 78,7 | 67,6 | 41,4 |
| 1,60 | 2326 | 1459 | 1151 | 922 | 796 | 707 | 647 | 593 | 551 | 513 | 483 | 454 | 330 | 270 | 196 | 157 | 135 | 116 | 103 | 93,6 | 85,2 | 78,7 | 68,3 | 41,5 |

Revision: 201509-1

Your Wing Dealer :

