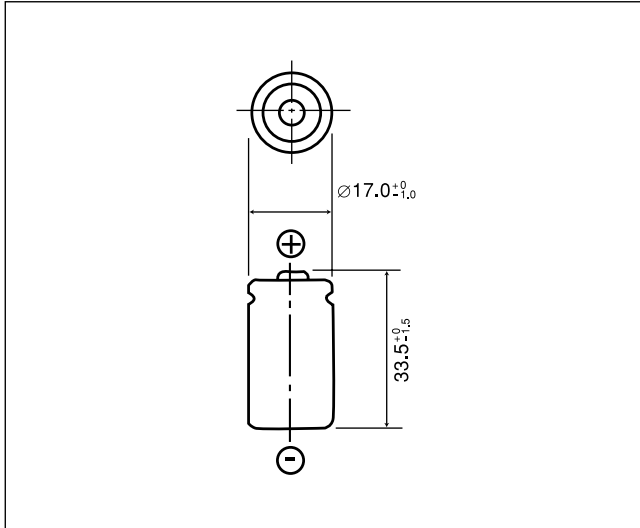


## BR-2/3AG

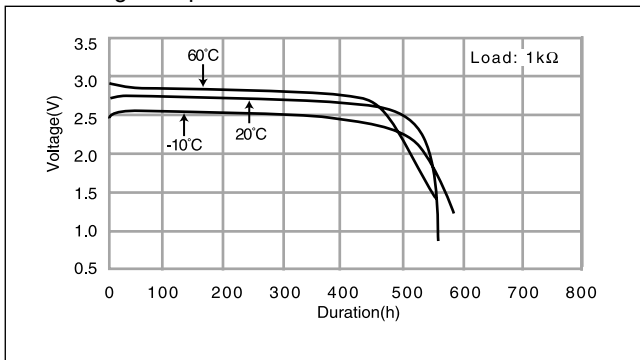
### ■ Dimensions(mm)



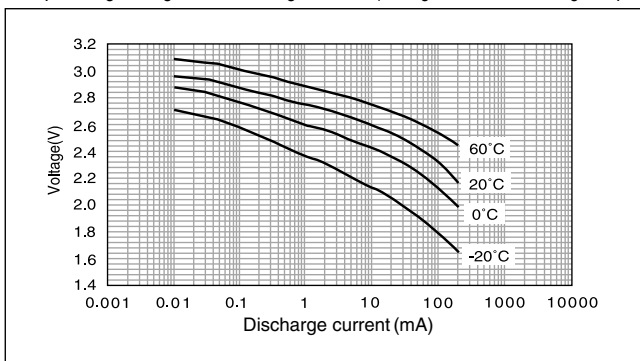
### ■ Specification

Nominal voltage(V)	3
Nominal capacity(mAh)	1,450
Continuous drain(mA)	2.5
Operating temperature(°C)	-40 to +85

### ■ Discharge temperature characteristics

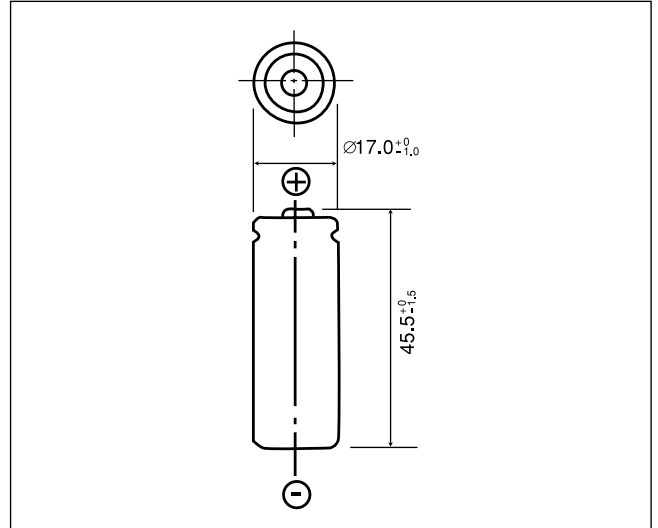


### ■ Operating voltage vs. Discharge current (voltage at 50% discharge depth)



## BR-A

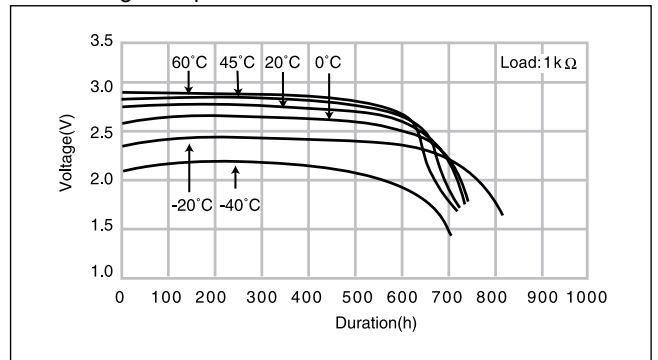
### ■ Dimensions(mm)



### ■ Specification

Nominal voltage(V)	3
Nominal capacity(mAh)	1,800
Continuous drain(mA)	2.5
Operating temperature(°C)	-40 to +85

### ■ Discharge temperature characteristics



### ■ Operating voltage vs. Discharge current (voltage at 50% discharge depth)

