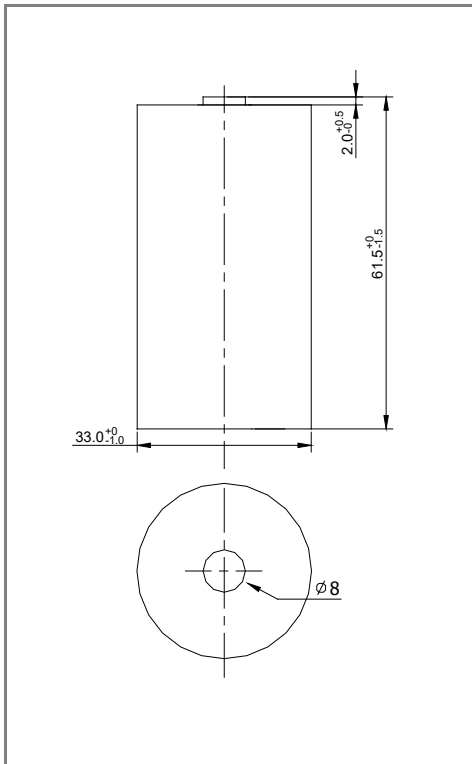


# XD9000NIMH Specifications



<b>Nominal Capacity</b>	<b>9000mAh</b>
<b>Nominal Voltage</b>	<b>1.2V</b>
<b>Internal Impedance (at 1000Hz)</b>	<b>&lt; 10mΩ</b>
<b>Charge</b>	
<b>Standard Charge</b>	<b>900mA x 15h</b>
<b>Rapid Charge</b>	<b>3600mA x 3.5h</b>
<b>Discharge Cut-off Voltage</b>	<b>1.0V</b>
<b>Max Dimension (with tube)</b>	
<b>Diameter</b>	<b>33mm</b>
<b>Height</b>	<b>61.5mm</b>
<b>Weight</b>	<b>165 g</b>
<b>Operating Temperature</b>	
<b>Charge</b>	<b>0 ~ 45°C</b>
<b>Discharge</b>	<b>-20 ~ 60°C</b>
<b>Storage Temperature</b>	
<b>Within 1 month</b>	<b>-5 ~ 35°C</b>
<b>Within 6 months</b>	<b>0 ~ 35°C</b>

