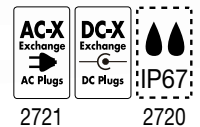


2720 - 2-pin IEC 320

2721 - with exch. / utskiftbare AC plugs

- Universal input voltage (90-264 VAC)
 - High efficiency
 - Low standby power
 - Mounting bracket available
 - Order mains cord separately
 - Waterproof (IP67) version available
 - Approvals:
 - Complies w. medical std EN 60601
 - For updates: see www.mascot.no
- Universal inngangsspenning (90-264 VAC)
 - Høy virkningsgrad
 - Lav tomgangsstrøm
 - Kan leveres med festebrakett
 - Nettledning best. separat
 - Vanntett (IP67) versjon kan leveres
 - Godkjenninger:
 - Tilfredsst. medisinsk std EN 60601
 - For oppdat.: se www.mascot.no



2721

2720

Technical specifications	Tekniske data	13,2 V*
Input voltage:	Inngangsspenning:	90-264 VAC
Line frequency:	Frekvensområde:	47-63 Hz
Min. output current:	Min. laststrøm:	0A
Load regulation:	Lastregulering:	< 1%
Mains regulation:	Linjeregulering:	< 0,5%
Switch frequency approx.:	Svitsjefrekvens ca.:	40 kHz
Overshoot (90-10% load variation):	Oversving (90-10% lastvariasjon):	< 350 mV
Undershoot (10-90% load variation):	Undersving (10-90% lastvariasjon):	< 400 mV
Hold-up time:	Hold-up time:	> 20 ms
Temperature range	Temperaturområde	
• Operating:	• Drift:	-20 - +40°C
• With derating:	• Med derating:	+60°C
• Storage:	• Lagring:	-25 - +85°C
Derating:	Derating:	1W/°C over 40°C
Ripple:	Rippel:	50 mV p-p
Efficiency (at 100% load, 230 V):	Virkningsgrad (v. 100% last, 230 V):	85 %
Current limiting:	Strømbegrensning:	Yes / Ja
Insulation class:	Isolasjonsklasse:	II
Insulation voltage	Isolasjonsspenning	
• Primary - secondary:	• Primær - sekundær:	4000 VAC / 5656 VDC
Safety	Sikkerhet	EN 60950, EN 60601-1
EMC standards	EMC standarder	
• Medical:	• Medisinsk:	EN 60601-1-2
• Emission:	• Emisjon:	EN 61000-6-3
• Immunity:	• Immunitet:	EN 61000-6-1
Output terminal:	Utgangsterminaler:	Cable / Kabel incl. / excl. plug
Dimensions (LxWxH):	Ytre mål (LxBxH):	107 x 67 x 36,5 mm (2720)
Weight:	Vekt:	230g (450g IP67 vers.)

* Some technical specifications may differ for other models and voltage versions. / Visse tekniske data kan variere for de forskjellige modeller og spenningsversjoner.

Voltage versions - Spenningsversjoner

Output / Utgang (V)	Max. current / Maks. strøm (A)	Max. output power / Maks. utgangseffekt (W)
5	3,5	17,5
6	5	30
9	3	27
13,2	3	40
16	2,5	40



Exchangeable AC plug models

Modeller med utskiftbare AC plugger

SMALL HOUSING

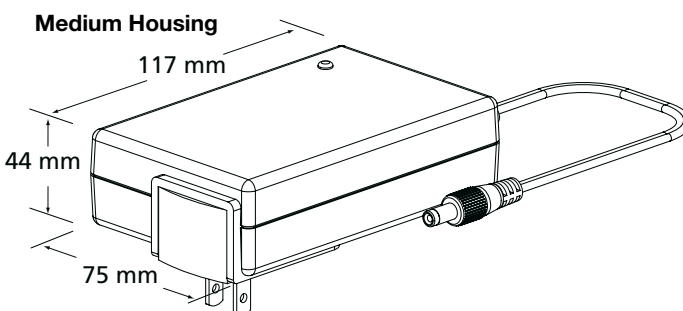
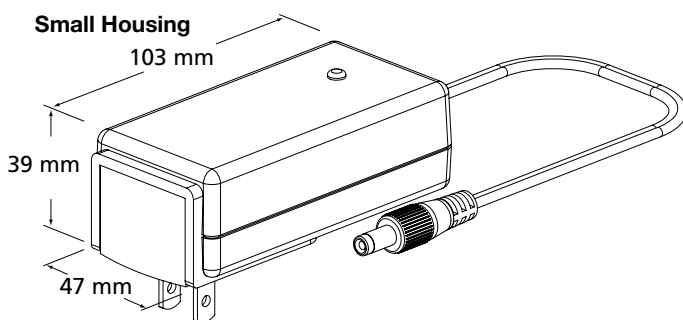
Base model / Grunnmodell		w exch. AC plug
Type	Description / Beskrivelse	Type
2220	AC/DC PSU, max 16W	2221
2924	AC/DC PSU, max 16W	2926
3326	AC/DC PSU, max 28W	3326
2115	NiMH battery charger, max 1,3A	2116
2240	Lead Acid batt. charger, max 1,3A	2241
2240 LI	Li.Ion batt. charger, max 1,3A	2241 LI
2240 LiFePO ₄	LiFePO ₄ batt. charger, max 1,3A	2241 LiFePO ₄
Additional housing weight (excl. plug/cord) + 15 g Tilleggsvekt (uten plugg/ledning) + 15 g		

MEDIUM HOUSING

Base model / Grunnmodell		w exch. AC plug
Type	Description / Beskrivelse	Type
9921	AC/DC PSU, max 40W	9926
2720	AC/DC PSU, max 40W	2721
3020	AC/DC PSU, max 60W	3021
2541	Lead Acid batt. charger, max 2,2A	2542
9940	Lead Acid batt. charger, max 2,3A	9941
2215	LiMH battery charger, max 35W	2216
9940 LI	Li.Ion batt. charger, max 2,3A	9941 LI
2541 LI	Li.Ion batt. charger, max 2,7A	2542 LI
2541 LiFePO ₄	LiFePO ₄ batt. charger, max 1,3A	2542 LiFePO ₄
Additional housing weight (excl. plug/cord) + 27 g Tilleggsvekt (uten plugg/ledning) + 27 g		

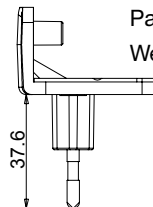


2-pin IEC 320 C7 mains cord
 1800 mm EU part no. 131306
 UK part no. 131148, US part no. 131147, AU part no. 013108



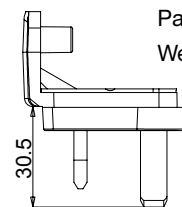
EU plug

Part no. 018110
 Weight: 21 g



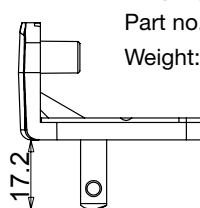
UK plug

Part no. 018112
 Weight: 30 g



US plug

Part no. 018111
 Weight: 14 g



AU plug

Part no. 018114
 Weight: 28 g

