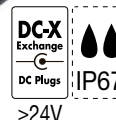


3220 Max. 106 W**AC/DC power supplies - switch mode**

Autodetect 115/230VAC

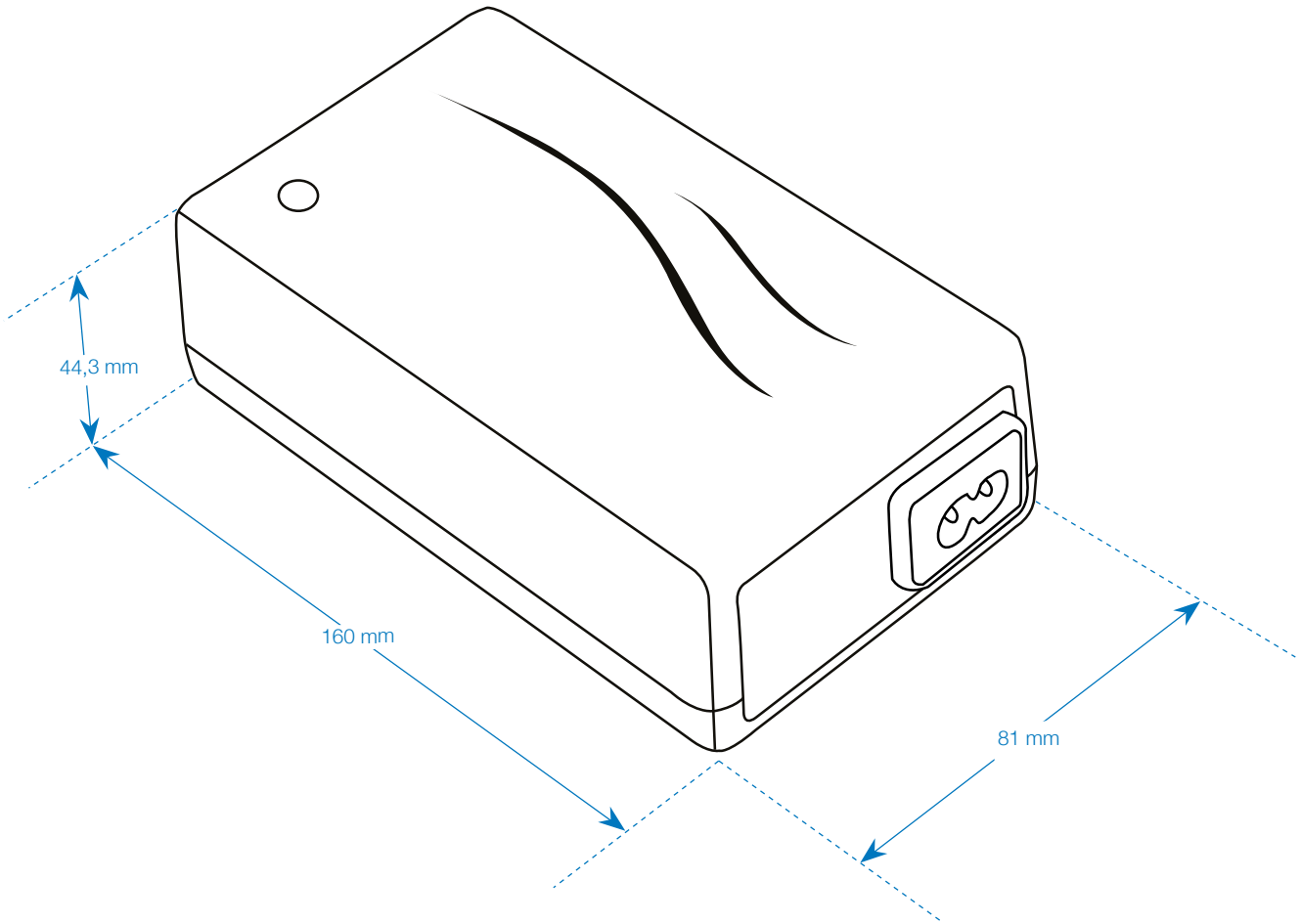
- Fixed output voltages
- High efficiency
- 2-pin IEC 320 connector. 3-pin or fixed mains cord on request
- Order mains cord separately
- Mounting bracket available
- Exchangeable DC plugs ($\geq 24V$)
- Waterproof (IP67) version available
- Approvals:
 - Medically certified EN 60601-1
 - For updates: see www.mascot.no
- Faste utgangsspenninger
- Høy virkningsgrad
- 2-pins IEC 320 nettkontakt. 3-pins el fast nettleddning på forespørsel.
- Nettleddning best. separat
- Festebrakett som tilbehør
- Utskiftbare DC plugger ($\geq 24V$)
- Vanntett (IP67) versjon kan leveres
- Godkjenninger:
 - Medisinsk sertifisert EN 60601-1
 - For oppdat.: se www.mascot.no

**tech spec****Technical specifications****Tekniske data**

Input voltage:	Inngangsspenning:	95-130 VAC and 198-264VAC
Line frequency:	Frekvensområde:	47 - 63Hz
Min. output current:	Min laststrøm:	0A
Load regulation:	Lastregulering:	<1%
Mains regulation:	Linjeregulering:	<0.5%
Ripple:	Rippel:	< 50mV p-p
Efficiency (100% load):	Virkningsgrad (100% last):	> 90%
Switch frequency approx.:	Switchefrekvens ca.:	60-65 kHz
Hold up time:	Hold up time:	> 20ms
Temperature range:	Temperaturområde:	
Operating:	Drift:	-20 °C - +40 °C
With derating:	Med derating:	+60 °C
Storage:	Lagring:	-25 °C - +85 °C
Derating:	Derating:	2.5W/ °C over 40 °C
Electrical safety standard:	Elektrisk sikkerhetsstandard:	EN 60950, EN 60601-1
Insulation class:	Isolasjonsklasse:	Class II (Class I on request)
Insulation voltage:	Isolasjonsspenning:	
Primary - secondary:	Primær - sekundær:	4000VAC / 5640VDC
EMC standards	EMC standarder	
• Medical	• Medisinsk	EN 60601-1-2
• Emission	• Emisjon	EN 61000-6-3
• Immunity	• Immunitet	EN 61000-6-1
Reliability (MIL-HDBK-217F)	Pålitelighet (MIL-HDBK-217F)	MTBF > 100.000hrs at 25°C and full load
Input terminal:	Inngangsterminal:	2-pin IEC 320 connector. (3-pin IEC 320 connector or fixed mains cord available on request)
Output terminal	Utgangsterminal:	Cable with / without plug Sekundærled. m/u. plugg
Dimensions:	Ytre mål:	160 x 81 x 44,3mm
Weight:	Vekt:	590 g (IP67: 1090g)

Voltage versions Spenningsversjoner	Output voltage Utgangsspenning	Max. current Maks. strøm	Max. output power Maks. utgangseffekt
5V	4 - 6V	8.5A	51W
9V	6 - 9V	8.5A	77W
13.2V	9 - 13.2V	8.5A-7.8A	103W
16V	12 - 16.8V	8.5A-6.1A	102W
24V	13.2 - 24V	7.5A-4.2A	101W
28V	24 - 28V	4.4A-3.8A	106W
36V	28 - 38V	3.6A-2.7A	103W
48V	38 - 48V	2.7A-2.1A	101W
60V	55 - 63V	1.8A-1.6A	101W
62V	63 - 67V	1.6A-1.5A	100W

TS201118



Mounting brackets

TYPE 201970

1 mounting bracket per unit
Available separately

