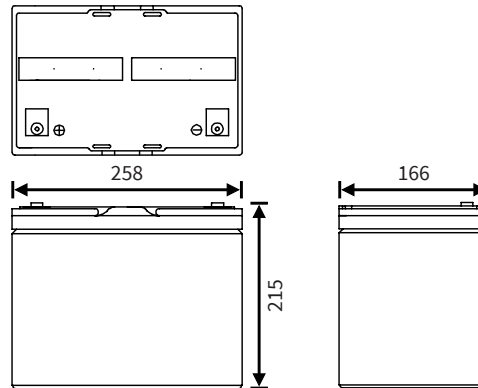


## CPH 80-12

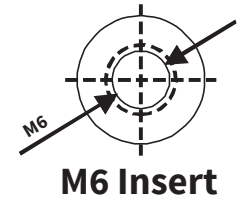
## High Rate AGM battery



### Dimensions (mm)



### Standard terminal



### Typical applications

- UPS systems
- Data centers
- Telecom systems
- Security systems
- Emergency lighting
- Air traffic power stations
- Medical equipment
- Solar energy

### Features

- Valve Regulated Lead Acid (VRLA)
- Maintenance free
- Absorbent Glassmat Technology (AGM)
- Built to comply with DIN 43534, IEC8962, BS6290-pt.4
- Low self discharge
- Classified as non-spillable under IATA, ADR and IMDG regulations
- Can be discharged or stored in any position without leakage
- Battery cannot be charged while upside down
- Produced under ISO 9001 & ISO 14001

Nominal voltage	12 V
Nominal capacity (1.80V/c, 25°C)	20Hr: 80.0 Ah
	1Hr: 57.9 Ah
Nominal power (1.60V/c, 25°C)	10Min: 432.0 W/cell
Internal resistance	≤5.0mΩ (fully charged)
Maximum charge current	24.0 A
Maximum discharge current	670 A (max. 5 sec)
Float use / cyclic use	13.5V - 13.8V / 14.4V - 14.7V
Self discharge	Lower than 3% per month
Operating temperature range	-20°C ~ 60°C
Designlife (20°C)	10-12 years in float (Eurobat)
Standard terminal	Insert M6 (8.5 Nm Torque)
Housing material	ABS (UL 94-HB)
Dimensions Length	258 mm
Dimensions Width	166 mm
Dimensions Height	215 mm
Approximate Weight	24.5 kg
Packing	1 pcs / box

### Constant Current Discharge (Amps) at 25 °C (77°F)

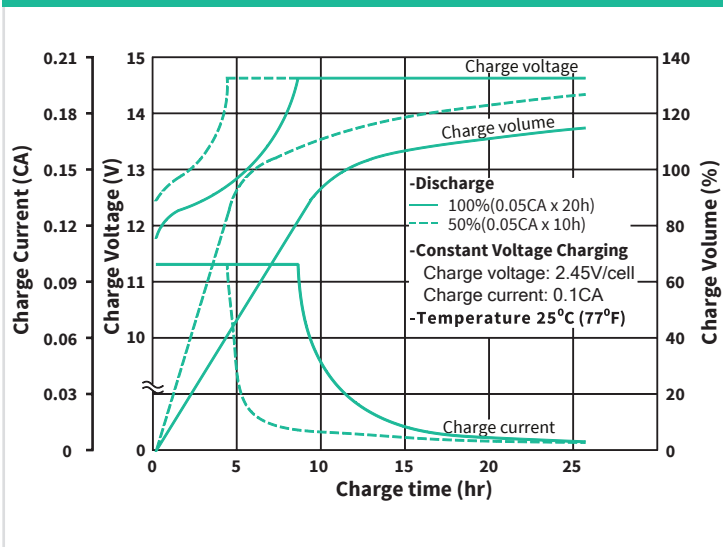
FV/TIME	3 Min	5 Min	10 Min	15 Min	20 Min	25 Min	30 Min	45 Min	60 Min
1.80V/cell	318,0	249,0	183,0	144,0	124,0	108,0	98,0	73,6	57,9
1.75V/cell	348,0	272,0	198,0	154,0	131,0	113,0	102,0	79,1	62,2
1.70V/cell	372,0	305,0	216,0	164,0	140,0	122,0	109,0	82,2	64,2
1.67V/cell	382,0	314,0	227,0	170,0	146,0	126,0	112,0	84,2	66,6
1.65V/cell	386,0	319,0	231,0	174,0	148,0	127,0	113,0	85,2	67,3
1.60V/cell	397,0	332,0	242,0	183,0	153,0	130,0	116,0	87,8	69,1

### Constant Power Discharge (Watts) per Cell\* at 25 °C (77°F)

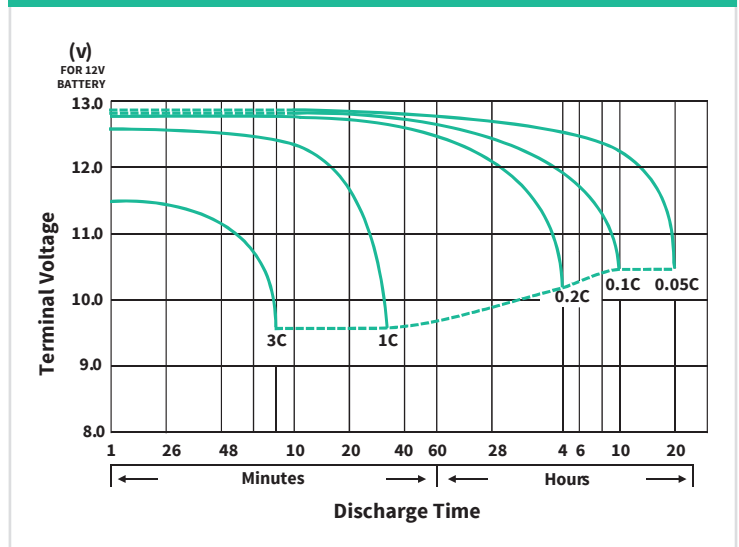
FV/TIME	3 Min	5 Min	10 Min	15 Min	20 Min	25 Min	30 Min	45 Min	60 Min
1.80V/cell	583,0	465,0	340,0	273,0	238,0	210,0	188,0	142,0	111,0
1.75V/cell	643,0	500,0	364,0	288,0	249,0	216,0	196,0	150,0	116,0
1.70V/cell	673,0	551,0	386,0	301,0	263,0	228,0	204,0	152,0	119,0
1.67V/cell	732,0	581,0	415,0	320,0	270,0	232,0	207,0	154,0	121,0
1.65V/cell	754,0	598,0	420,0	322,0	273,0	235,0	209,0	155,0	122,0
1.60V/cell	810,0	640,0	432,0	327,0	281,0	241,0	213,0	158,0	124,0

\*: Battery consists of 6 cells

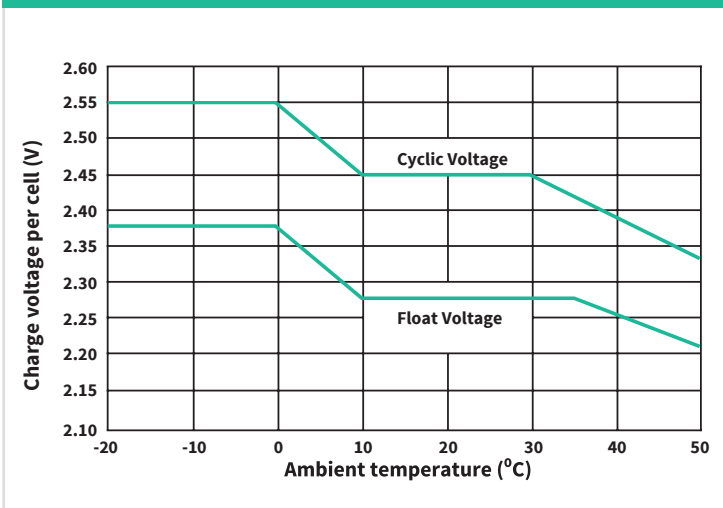
## Charge characteristics



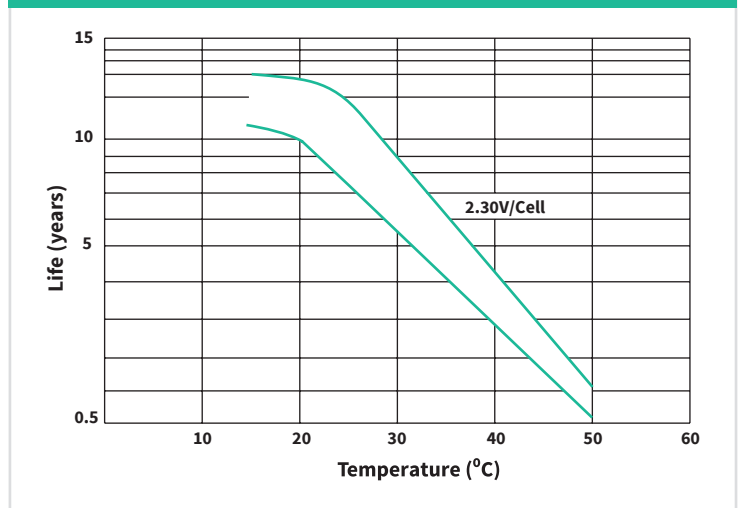
## Discharge characteristics



## Charge voltage in relation to temperature



## Service life in relation to temperature



## Models available

Model	Voltage	Capacity (Ah)	Dimensions (mm)	Weight (kg)
CPH 5-12	12	5	90x70x107	1.90
CPH 6-12	12	6	151x51x101	2.00
CPH 80-12	12	80	258x166x215	24.50
CPH 95-12	12	95	306x170x225	29.20
CPH 110-12	12	110	339x173x220	31.50
CPH 140-12	12	140	341x173x283	39.50
CPH 150-12	12	150	341x173x283	41.00

## Cellpower family

Cellpower supplies a broad range of reliable AGM, GEL and Lithium batteries. Each product series has its own unique characteristics, so that there is a suitable battery for every application with its associated specific usage profile. Combined with the right Cellpower battery accessories, you are able to assemble a high-quality and reliable battery system.

The sealed, maintenance-free AGM lead battery type has a long operational lifetime. When used correctly, the Absorbed Glass Mat (AGM) technology offers dependable, lasting service. Additionally, AGM batteries exhibit very little self-discharge when compared with other lead-acid batteries. Sealed lead-acid batteries require low maintenance and do not need to be refilled with water or other liquids.

